

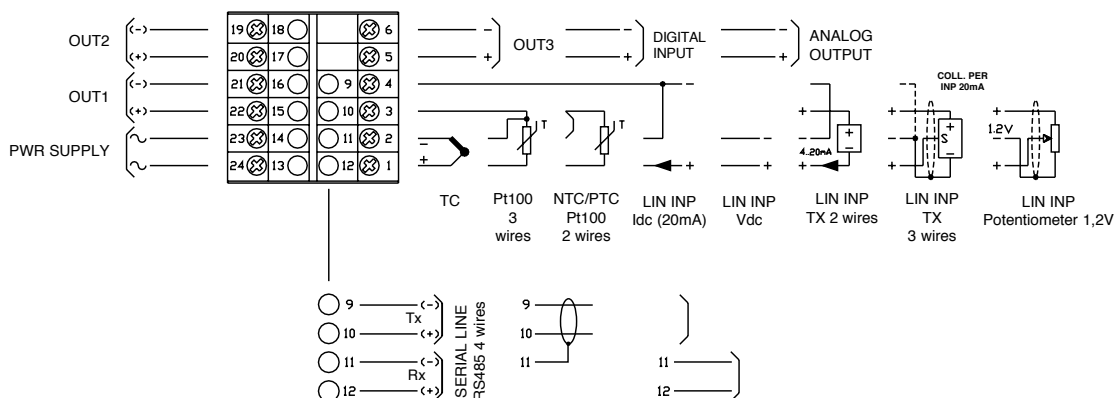
40T 48



UNIVERSAL TEMPERATURE INDICATOR - ALARM UNIT

Universal indicator and alarm unit, 4-digit display, microprocessor-based, configurable from faceplate keys and from PC, temperature, linear, potentiometer inputs.

- Inputs TC, RTD, PTC, NTC, mV, V, mA linear inputs
- Retransmitted output
- Faceplate protection: IP65
- Configurable alarms
- RS485 serial line



CE UL

Outputs	Special functions	Serial Communication	Power supply	Order code	SAP/METEL code
2 relays	-	-	11..27Vac/Vdc	40T-48-4-00-RR-0-0-0-0	F000187 A
2 relays	-	-	100..240Vac/Vdc	40T-48-4-00-RR-0-0-0-1	F000188 A
2 relays+ Analog	-	-	11..27Vac/Vdc	40T-48-4-00-RR-0-2-0-0	F000934
2 relays+ Analog	-	-	100..240Vac/Vdc	40T-48-4-00-RR-0-2-0-1	F000189
3 relays	-	-	11..27Vac/Vdc	40T-48-4-00-RR-R-0-0-0	F000935
3 relays	-	-	100..240Vac/Vdc	40T-48-4-00-RR-R-0-0-1	F000936
2 relays+ Analog	Transm. power supply 24 Vdc	-	11..27Vac/Vdc	40T-48-4-24-RR-0-2-0-0	F000937
2 relays+ Analog	Transm. power supply 24 Vdc	-	100..240Vac/Vdc	40T-48-4-24-RR-0-2-0-1	F000938 A
3 relays	Transm. power supply 24 Vdc	-	11..27Vac/Vdc	40T-48-4-24-RR-R-0-0-0	F000939
3 relays	Transm. power supply 24 Vdc	-	100..240Vac/Vdc	40T-48-4-24-RR-R-0-0-1	F000192 A
2 relays	Transm. power supply 24 Vdc + Input digitale	RS485 Modbus	11..27Vac/Vdc	40T-48-4-24-RR-0-1-2-0	F048509
2 relays	Transm. power supply 24 Vdc + Input digitale	RS485 Modbus	100..240Vac/Vdc	40T-48-4-24-RR-0-1-2-1	F058307